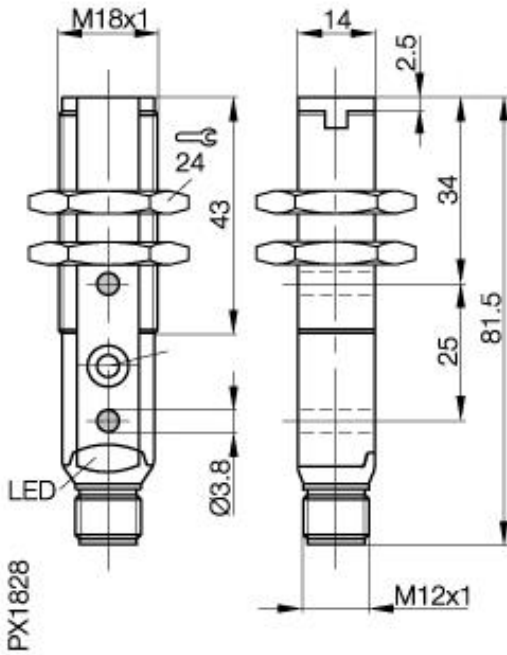


**Photoelectric Sensor**  
**BLT 18KF-001-N-S4**  
**Sn=mm**  
**Luminescence Sensor**



**Common Data**

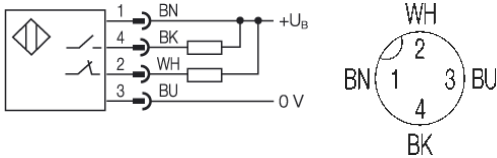
Series	BLT
Sensortype	Luminescence Sensor
Switching frequency	1000Hz
assured operating distance Sa	8...20mm
Indication Supply Voltage	yes, green LED
Indication Switching element on	yes, yellow LED
Indication Special funktion	wrong adjustment, LED red
Ambient temperature	-10...+55°C
On-delay	0,5ms
Light	LED, ultraviolet
Wavelength / Laser protection class	370nm
Sensitivity Adjustment	Teach in
Diameter of active zone	ca.3mm at 20mm
Permissible ambient light	acc. EN 60947-5-2
Output function	light-on or dark-on

**Mechanical Data**

Measurements	M18x81,5
Housing material	PBT
Material of sensing face	PMMA
Degree of protection	IP67
Connection	Connector S4 (M12)
Weigth	25g
Recommended connector	BKS-_20

**Electrical Data**

Current	DC
Rated operational voltage Ue	24V
Rated operational current Ie	100mA
Supply Voltage	10...30V DC
Ripple	< 10% from UB
Frequency of Supply Voltage	DC
No-load supply current	<25mA
Short protection	yes



Utilization categories  
 Insulation class

Datasheet number:

Definitions see general catalog.  
 If not otherwise noted, ratings according to  
 IEC 60947-5-2 (DIN EN60947-5-2)

Balluff GmbH  
 Schurwaldstrasse 9  
 73765 Neuhausen a.d.F.  
 Phone (07158) 173-0 Fax (07158) 5010

Datenblatt by CD-ROM - 04/2007

**BALLUFF**  
 sensors worldwide